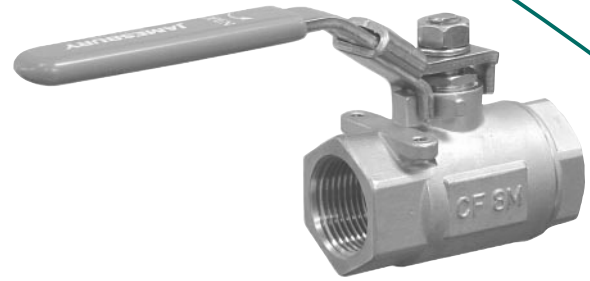


1/4" – 2" (DN 8 – 50) SERIES 100 THREADED- END BALL VALVES

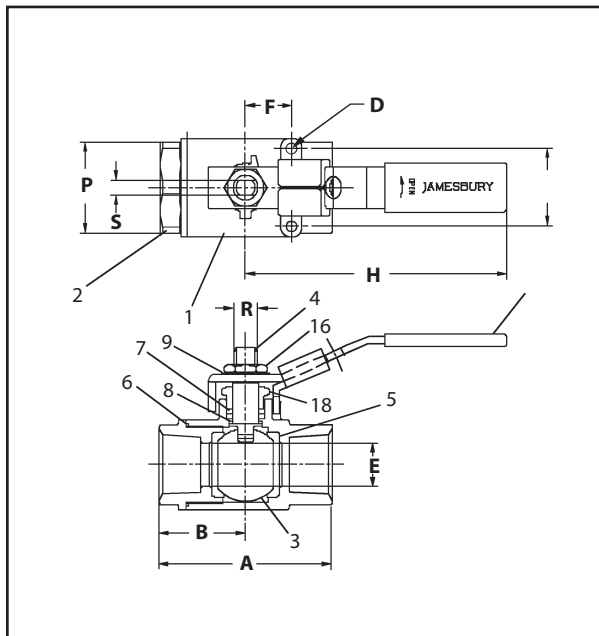
JAMESBURY® Series 100 general purpose ball valves feature bubble tight shut-off for industrial and utility services. Ideal for applications where non-relieving seats are acceptable.

FEATURES

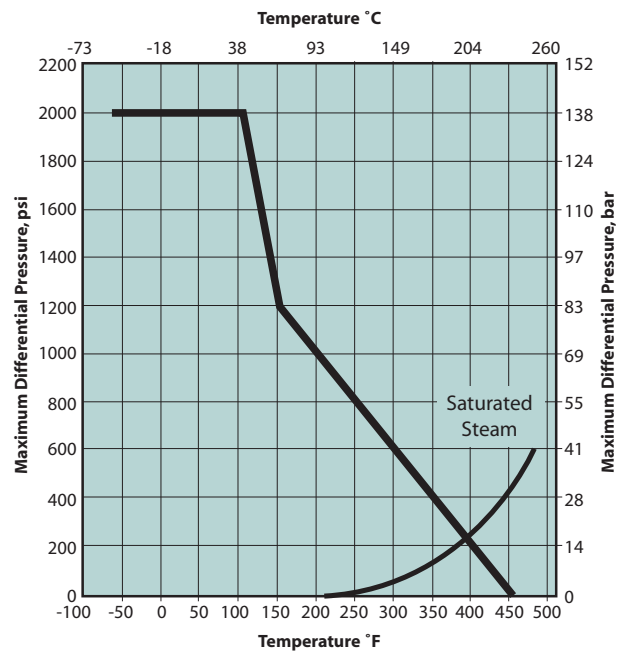
- Two piece body construction of WCB carbon steel (Series 152M) or CF8M stainless steel material (Series 156M).
- Integral actuator mounting pad.
- Standard slide lock handle to meet OSHA 1910.147.
- Seats, stem and body seals are reinforced PTFE for high pressure rating and long cycle life.
- Internal entry stem provides positive stem retention.
- 2000 psi (138 bar) CWP non-shock rating. CWP Rating is -20°F to 100°F (-29°C to 38°C) for carbon steel, and -60°F to 100°F (-51°C to 38°C) for stainless steel.
- Optional accessories include stem extensions and oval handles with slide lock.
- NPT threads per ANSI/ASME B1.20.1



Dimensions



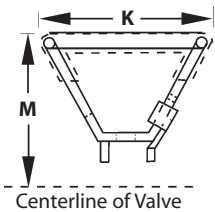
VALVE SEAT RATING



OPTIONAL HANDLES AND ACCESSORIES

The Series 100 ball valves have optional handles available. To order handles separately, specify the following part number:

Optional Oval Handle

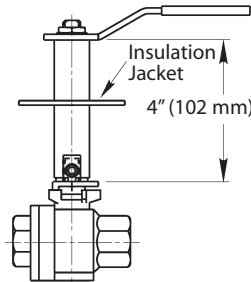


Handle Type	1/4" - 1/2" (DN 8-15)	3/4" - 1" (DN 20-25)	1-1/4" - 2" (DN 30-50)
Stainless Steel Lockable Oval Handles	LD-95	LD-96	LD-97

STEM EXTENSIONS

A standard 4" (102 mm) stem extension is offered.

Valve Size - Inches (DN)	Kit Number
1/4 - 1/2 (DN 8 - 15)	SE-81
3/4 - 1-1/4 (DN 20 - 30)	SE-82
1-1/2 - 2 (DN 40 - 50)	SE-83



Bill of Materials and Parts List

Part No.	Part Name	Carbon Steel	316 Stainless Steel
		152M	156M
1	Body	Carbon Steel	316 Stainless Steel
2	Body Cap	Carbon Steel	316 Stainless Steel
3	Ball	316 Stainless Steel	
4	Stem	316 Stainless Steel	
5	Seat	Reinforced PTFE	
6	Body Seal	Reinforced PTFE	
7	Stem Seal	Reinforced PTFE	
8	Stem Bearing	Reinforced PTFE	
9	Shakeproof Washer	Carbon Steel	316 Stainless Steel
15	Handle	Carbon Steel	316 Stainless Steel
16	Stem Nut	Carbon Steel	316 Stainless Steel
18	Gland Nut	Carbon Steel	316 Stainless Steel

Valve Size inches	Approx. Dimensions - inches												Approx. Weight lb	Torque* FT•LBS
	A	B	D	E	F	H	K	J	M	P	R	S		
1/4	2.07	1.04	#10-24	0.37	0.50	4.33	3.35	1.12	2.15	0.90	0.31	0.20	0.6	3
3/8	2.07	1.04	#10-24	0.37	0.50	4.33	3.35	1.12	2.16	0.90	0.31	0.20	0.6	3
1/2	2.34	1.17	#10-24	0.50	0.50	4.33	3.35	1.12	2.26	1.06	0.31	0.20	0.7	6
3/4	2.80	1.40	#10-24	0.69	0.87	5.83	4.65	1.38	2.68	1.34	0.44	0.28	1.4	10
1	3.23	1.62	#10-24	0.87	0.87	5.83	4.65	1.38	2.83	1.61	0.44	0.28	2	12
1-1/4	3.57	1.79	1/4-20	1.00	0.93	7.76	5.04	1.50	3.21	1.89	0.56	0.35	2.6	21
1-1/2	4.04	2.02	1/4-20	1.25	0.93	7.76	5.04	1.50	3.39	2.26	0.56	0.35	4	25
2	4.63	2.32	1/4-20	1.50	0.93	7.76	5.04	1.50	3.64	2.76	0.56	0.35	6	27

Valve Size DN	Approx. Dimensions - mm												Approx. Weight kg	Torque* N•m
	A	B	D	E	F	H	K	J	M	P	R	S		
8	52.6	26.4	#10-24	9.4	12.7	110.0	85.1	28.4	54.6	22.9	7.9	5.1	.27	4.07
10	52.6	26.4	#10-24	9.4	12.7	110.0	85.1	28.4	54.9	22.9	7.9	5.1	.27	4.07
15	59.4	29.7	#10-24	12.7	12.7	110.0	85.1	28.4	57.4	26.9	7.9	5.1	.32	8.14
20	71.1	35.6	#10-24	17.5	22.1	148.1	118.1	35.1	68.1	34.0	11.2	7.1	.63	13.56
25	82.0	41.1	#10-24	22.1	22.1	148.1	118.1	35.1	71.9	40.9	11.2	7.1	.90	16.27
30	90.7	45.5	1/4-20	25.4	23.6	197.1	128.0	38.1	81.5	48.0	14.2	8.9	1.18	28.47
40	102.6	51.3	1/4-20	31.8	23.6	197.1	128.0	38.1	86.1	57.4	14.2	8.9	1.81	33.89
50	117.6	58.9	1/4-20	38.1	23.6	197.1	128.0	38.1	92.5	70.1	14.2	8.9	2.72	36.61

Subject to change without prior notice.

Metso Automation Inc.

Europe, Levytie 6, P.O. Box 310, 00811 Helsinki, Finland.
Tel. +358 20 483 150. Fax +358 20 483 151

North America, 44 Bowditch Drive, P.O. Box 8044, Shrewsbury, MA 01545, USA.
Tel. +1 508 852 0200. Fax +1 508 852 8172

Europe, 6-8 rue du Maine, 68271 Wittenheim Cedex, France.
Tel. +33 (0)3 89 50 64 00. Fax +33 (0)3 89 50 64 40

South America, Av. Independência, 2500- Iporanga, 18087-101, Sorocaba-São Paulo Brazil. Tel. +55 15 2102 9700. Fax +55 15 2102 9748/49

Asia Pacific, 238A Thomson Road, #25-09 Novena Square Tower A, 307684 Singapore.
Tel. +65 6511 1011. Fax +65 6250 0830

China, 19/F, the Exchange Beijing, No. 118, Jianguo Lu Yi, Chaoyang Dist, 100022 Beijing, China.
Tel. +86-10-6566-6600. Fax +86-10-6566-2575

Middle East, Roundabout 8, Unit AB-07, P.O. Box 17175, Jebel Ali Freezone, Dubai, United Arab Emirates. Tel. +971 4 883 6974. Fax +971 4 883 6836

www.metso.com/automation

