

GAS SHUTOFF AND VENT VALVES FIGURE 1057

The JAMESBURY® Figure 1057 Automatic Safety Gas Valves are CSA approved for providing protection against fire and explosive hazards during light-off and operation of gas-burning equipment. When the electrical signal is interrupted or when there is a loss of air pressure, these gas-line valves operate rapidly to isolate or allow gas flow. This action may be initiated either by safety trip or normal shutdown sequencing.

The units consist of a valve with actuator, limit switch, and solenoid pilot valve, and are approved as an assembly. Flange valves are available in ANSI Class 150 1/2" through 8" (DN 15 – 200) standard port and 1/2" through 1-1/2" (DN 15 – 40) full port bore sizes. Flange valves are available in ANSI Class 300 1/2" through 4" (DN 15 – 100) standard port. Screwed end valves are available in ANSI class 600 1/2" through 2" (DN 15 – 50) standard port and 1/2" through 1-1/2" (DN 15 – 40) full port. Valves are offered with either carbon steel or 316 stainless steel bodies. Trim is 316 stainless steel.

All sizes/series are certified by the Canadian Standard Association for use in gas appliances and for automatic gas safety shutoff under ANSI Z21.21-1995/CSA 6.5/CGA 3.9 automatic valves down to -40°F/-40°C.

The JAMESBURY gas valve assemblies are available with a VPVL double opposed piston spring return actuator rated for 60 psi (4.2 bar) minimum air supply 116 psi (8 BAR) maximum. Also available is a QUADRA-POWR®X spring-diaphragm actuator rated for 60 psi (4.2 BAR) minimum air supply 100 psi (6.9 BAR) maximum.

Single-pole double-throw (SPDT) and double-pole double-throw (DPDT) limit switches are available with the contact arrangements shown on page 2.

FEATURES

Tight Shutoff

- The flexible-lip XTREME® seat design is self-compensating for wear and eliminates the need for lubricant injection.

Reliable Operation

- Automatic quarter-turn rotation is provided.

Corrosion Resistant

- 316 stainless-steel valves are available for highly corrosive atmospheres. Actuators are especially well-suited to industrial environments.



True Position Indication

- Limit switches are actuated directly from the valve/actuator drive train, reliably communicating a true valve-position.

Approved For Watertight And Hazardous Location

- The limit switch housing assemblies are also CSA approved, filling NEMA 4, 4X, 6 Class 1 Groups C & D, and Class II Groups F, and G Div. 1 & 2 specifications for combined watertight and hazardous location design.

SPECIFICATIONS

Switch Ratings for 1057 Assemblies		
	VAC Rating	VDC Rating
QZM2VB1DSS, SPDT; (-40°F, -40°C) (2) SPDT mech. switches	10 Amp @ 125/250 VAC	0.5 Amp @ 125 VDC
QZM14B1DSS, DPDT; (-40°F, -40°C) (2) DPDT mech. switches	10 Amp @ 125/250 VAC	0.5 Amp @ 125 VDC
QZM2WB1DSS, SPDT; (-40°F, -40°C) (2) SPDT gold contact mech. switches	1 Amp @ 125 VAC	0.5 Amp @ 30 VDC
QZP4XB1DSS, SPST; (-40°F, -40°C) (4 *SPST switches configured as **SPDT)	0.3 Amp @ 125 VAC	0.3 Amp @ 125 VDC
QZP33B1DSS, SPST; (-60°F, -50°C)*** (2) SST Sensor Dual Module	0.3 Amp @ 125 VAC	0.3 Amp @ 125 VDC

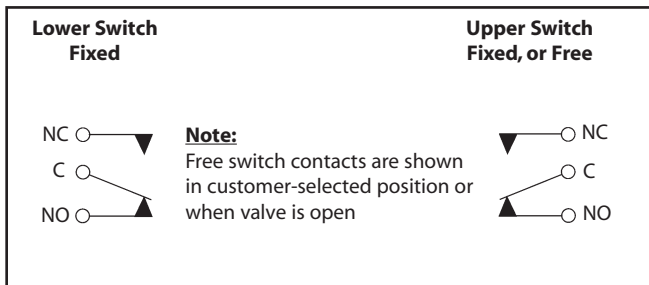
* Single Pole-Single Throw. ** Single Pole-Double Throw

*** Assembly limited to -40°F, -40°C

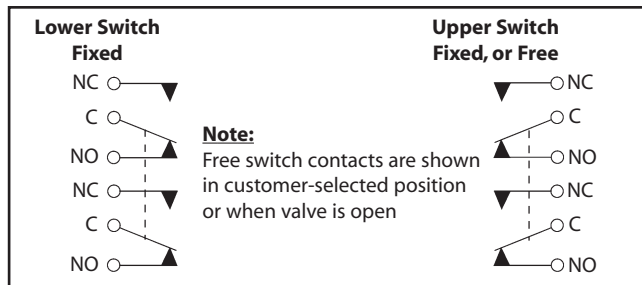
Switch Arrangements

Contacts of Each Switch are in Position Shown When Valve is Closed

SPDT Switch Contact Schematic



DPDT Switch Contact Schematic



The available switch arrangements are shown in the "How to Order" table. Switches designated as "fixed" are set so that they are actuated only when the valve is in the fully closed position. They are secured to avoid accidental relocation and marked to show any attempts at tampering. Switches indicated as "free" are for indicator lights or other control purposes. These are normally set to close when the

valve is fully open, but are not secured and may therefore be adjusted to operate in any valve position. (DPDT switches can be adjusted only for end of travel, i.e., valve full open or valve full closed.

A solenoid operated 3-way pilot valve controls valve operation and is of sufficient flow capacity to provide valve closing within 2 seconds. Coils are continuous duty molded Class A.

Maximum Operating Pressure/Temperature Ratings

Valve Size		Valve Material	Seats	Maximum Operating Pressure		Maximum Ambient Temperature*		Minimum Ambient Temperature		Maximum Media Temperature	
Inches	DN			psi	bar	°F	°C	°F	°C	°F	°C
1/2 - 8	15 - 200	Carbon steel	XTREME	200	14	125	52	-20	-29	212	100
		316 Stainless Steel						-40	-40		

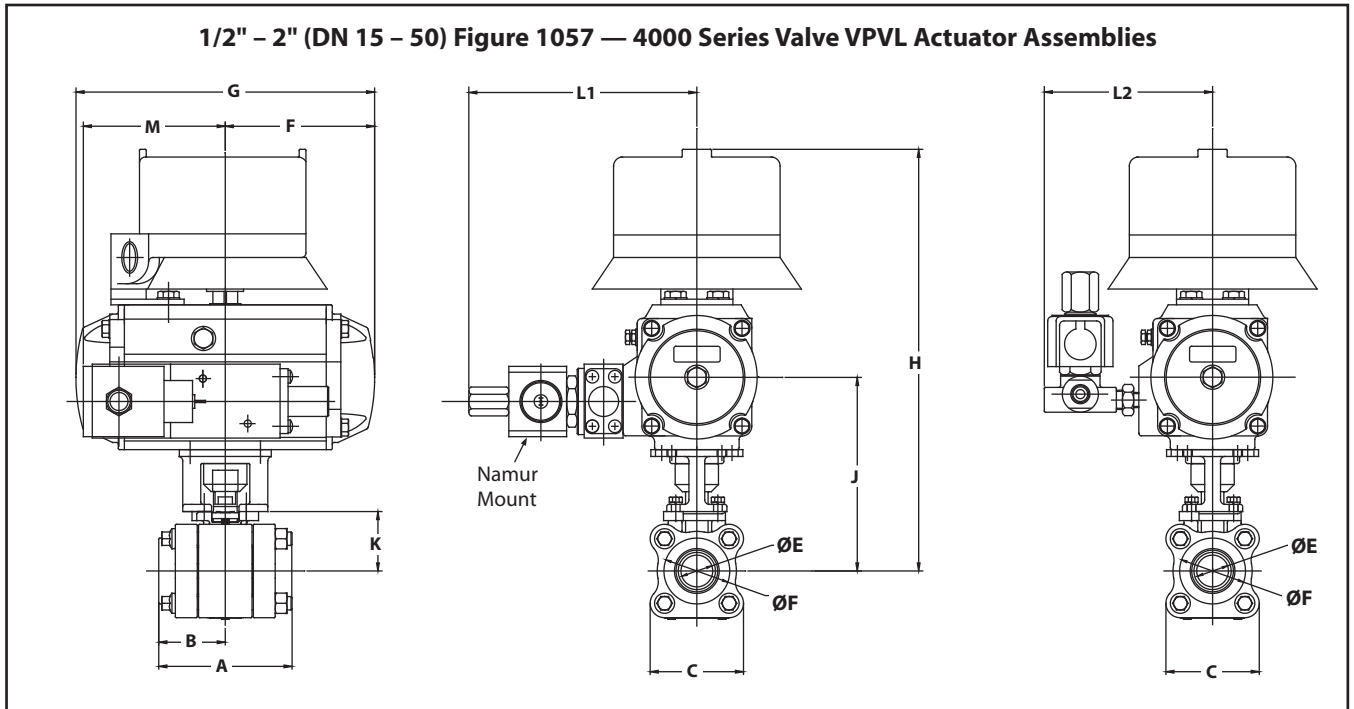
* Selection with standard solenoid option. High temperature solenoid increases maximum ambient temperature to 140°F (60°C).

Flow Data

Flow coefficients for Figure 1057 Gas Safety Shutoff Valves covered in this bulletin can be found in the JAMESBURY Bulletin for the valve in the assembly.

Valve Series	Bulletin
4000	B150-1
7000	B107-1
9000	B107-2

DIMENSIONS



1/2" - 2" (DN 15 - 50) Figure 1057 — 4000 Series Valve VPVL Actuator Assemblies

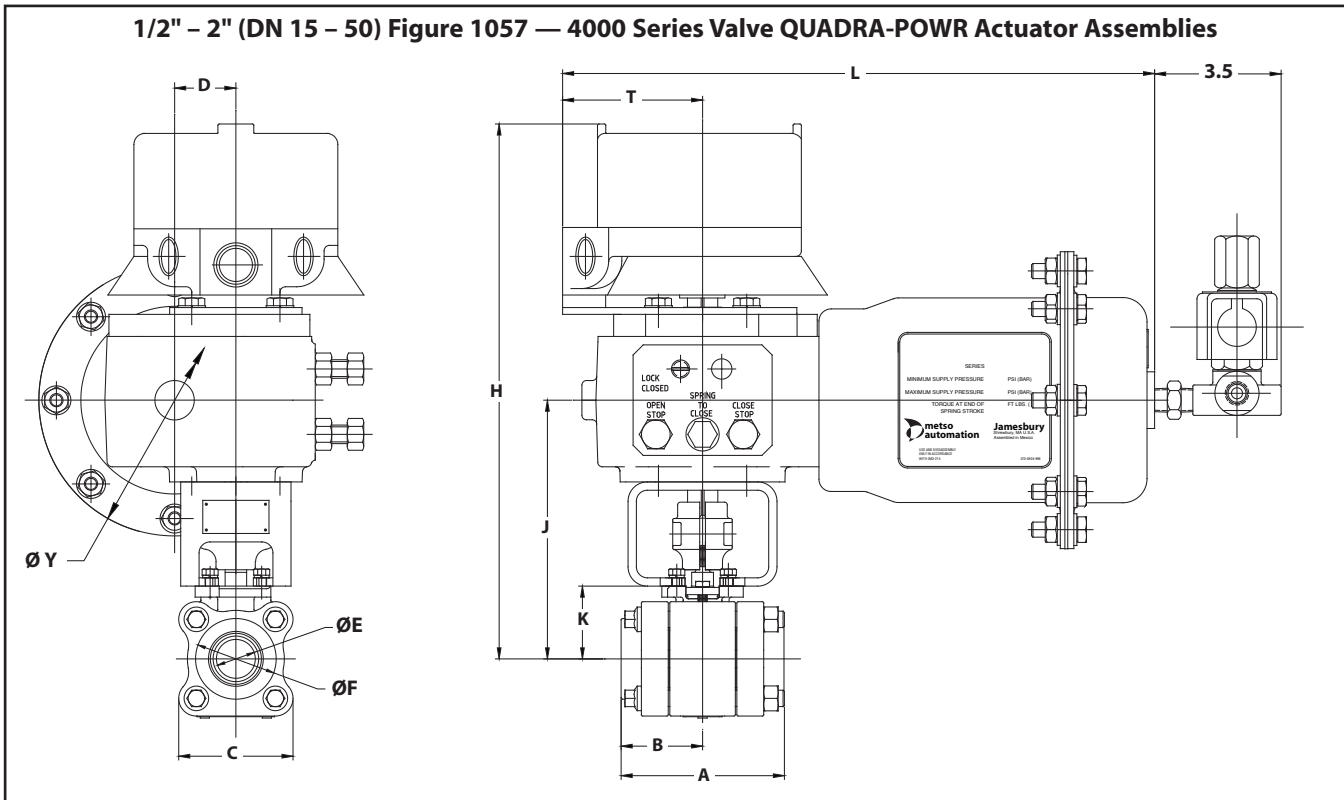
Valve Size		Approximate Dimensions																Approx. Weight	
Standard Bore		A		B		C		E		F		H		J		K		lb	kg
Inches	DN	in.	mm	in.	mm	in.	mm	in.	mm	in.	mm	in.	mm	in.	mm	in.	mm		
1/2	15	2.59	66	1.29	33	2.06	52	.50	13	1.24	31	10.00	254	4.01	102	1.06	27	11.6	5.3
3/4	20	3.01	76	1.50	38	2.25	57	0.69	18	1.47	37	10.15	258	4.17	106	1.22	31	12.4	5.6
1	25	3.69	94	1.85	47	2.59	66	0.88	22	1.83	46	11.70	297	5.38	137	1.65	42	18.7	8.5
1-1/4	32	4.22	107	2.11	54	2.84	72	1.00	25	2.22	56	11.83	300	5.51	140	1.78	45	20.2	9.2
1-1/2	40	4.58	116	2.29	58	3.33	85	1.25	32	2.46	62	13.39	340	6.58	167	2.08	53	27.4	12.4
2	50	5.11	130	2.55	65	3.66	93	1.50	38	2.97	75	13.57	345	6.76	172	2.26	57	35.0	15.9

Valve Size		Approximate Dimensions																Approx. Weight	
Full Bore		A		B		C		E		F		H		J		K		lb	kg
Inches	DN	in.	mm	in.	mm	in.	mm	in.	mm	in.	mm	in.	mm	in.	mm	in.	mm		
3/4	20	3.69	94	1.85	47	2.59	66	0.88	22	1.83	46	11.70	297	5.38	137	1.65	42	18.7	8.5
1	25	4.22	107	2.11	54	2.84	72	1.00	25	2.22	56	11.83	300	5.51	140	1.78	45	20.2	9.2
1-1/4	32	4.58	116	2.29	58	3.33	85	1.25	32	2.46	62	13.39	340	6.58	167	2.08	53	27.4	12.4
1-1/2	40	5.11	130	2.55	65	3.66	93	1.50	38	2.97	75	13.57	345	6.76	172	2.26	57	35.0	15.9

Actuator Size	Approximate Dimensions									
	F		G		L1		L2		M	
	in.	mm	in.	mm	in.	mm	in.	mm	in.	mm
VPVL-100	3.12	79	6.24	158	6.13	156	4.47	114	3.94	100
VPVL-200	4.15	105	8.29	211	6.33	161	4.67	119	3.94	100
VPVL-250	4.87	124	9.74	247	6.52	166	4.86	123	3.94	100
VPVL-300	5.29	134	10.57	268	6.92	176	5.26	134	3.94	100

DIMENSIONS

1/2" - 2" (DN 15 - 50) Figure 1057 — 4000 Series Valve QUADRA-POWR Actuator Assemblies



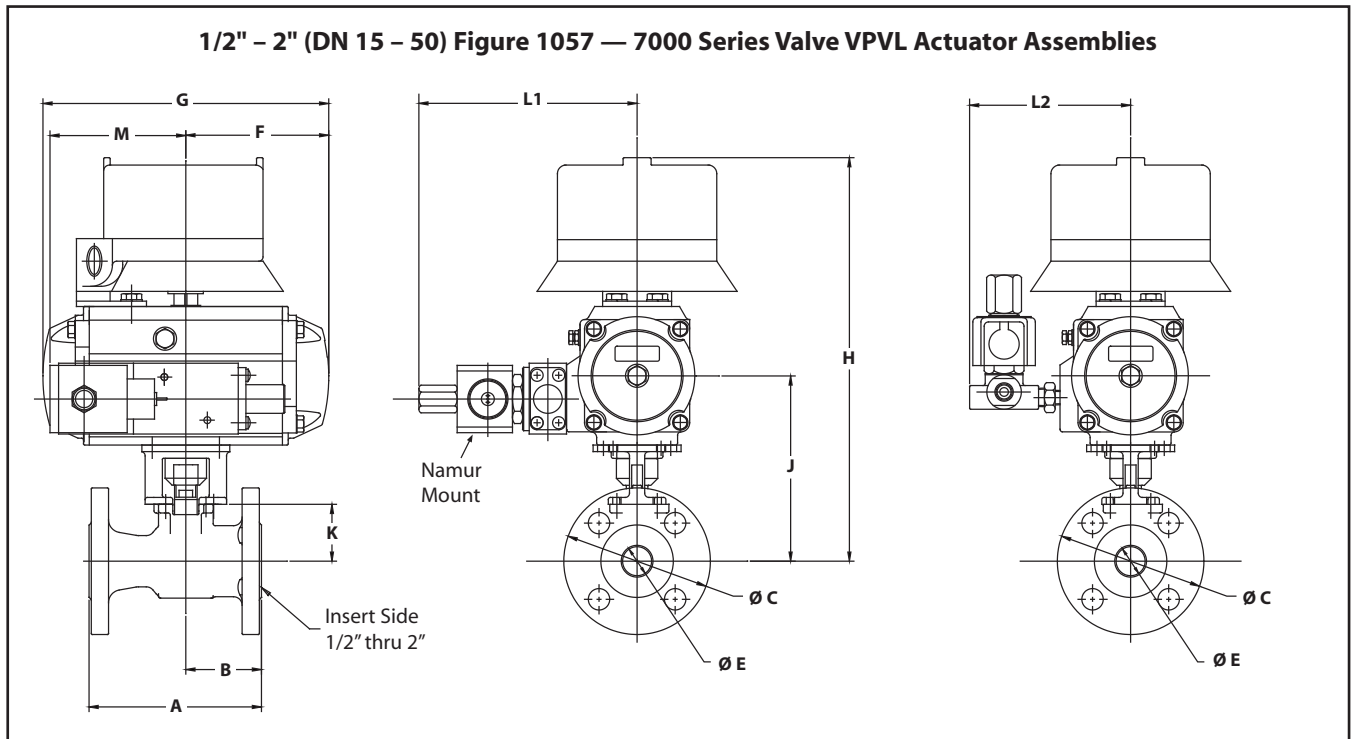
1/2" - 2" (DN 15 - 50) Figure 1057 — 4000 Series Valve QUADRA-POWR Actuator Assemblies

Valve Size		Approximate Dimensions															Approx. Weight		
Standard Bore		A		B		C		E		F		H		J		K		lb	kg
Inches	DN	in.	mm	in.	mm	in.	mm	in.	mm	in.	mm	in.	mm	in.	mm	in.	mm		
1/2	15	2.59	66	1.29	33	2.06	52	0.50	13	1.24	31	11.22	285	5.04	128	1.06	27	29.8	13.5
3/4	20	3.01	76	1.50	38	2.25	57	0.69	18	1.47	37	11.38	289	5.21	132	1.22	31	32.6	14.5
1	25	3.69	94	1.85	47	2.59	66	0.88	22	1.83	46	11.87	301	5.69	145	1.65	42	35.7	16.2
1-1/4	32	4.22	107	2.11	54	2.84	72	1.00	25	2.22	56	12.00	305	5.82	148	1.78	45	37.2	16.9
1-1/2	40	4.58	116	2.29	58	3.33	85	1.25	32	2.46	62	12.40	315	6.27	159	2.08	53	41.7	18.9
2	50	5.11	130	2.55	65	3.66	93	1.50	38	2.97	75	13.37	340	6.82	173	2.26	57	62.6	28.4

Valve Size		Approximate Dimensions															Approx. Weight		
Full Bore		A		B		C		E		F		H		J		K		lb	kg
Inches	DN	in.	mm	in.	mm	in.	mm	in.	mm	in.	mm	in.	mm	in.	mm	in.	mm		
3/4	20	3.69	94	1.85	47	2.59	66	0.88	22	1.83	46	11.87	301	5.69	145	1.65	42	35.7	16.2
1	25	4.22	107	2.11	54	2.84	72	1.00	25	2.22	56	12.00	305	5.82	148	1.78	45	37.2	16.9
1-1/4	32	4.58	116	2.29	58	3.33	85	1.25	32	2.46	62	12.40	315	6.27	159	2.08	53	41.7	18.9
1-1/2	40	5.11	130	2.55	65	3.66	93	1.50	38	2.97	75	13.37	340	6.82	173	2.26	57	62.6	28.4

Actuator Size	Approximate Dimensions							
	D		L		T		Y	
	in.	mm	in.	mm	in.	mm	in.	mm
QPX1C/M	1.37	35	7.75	197	13.41	341	3.17	81
QPX2C/M	1.72	44	8.94	227	16.75	425	3.56	90

DIMENSIONS



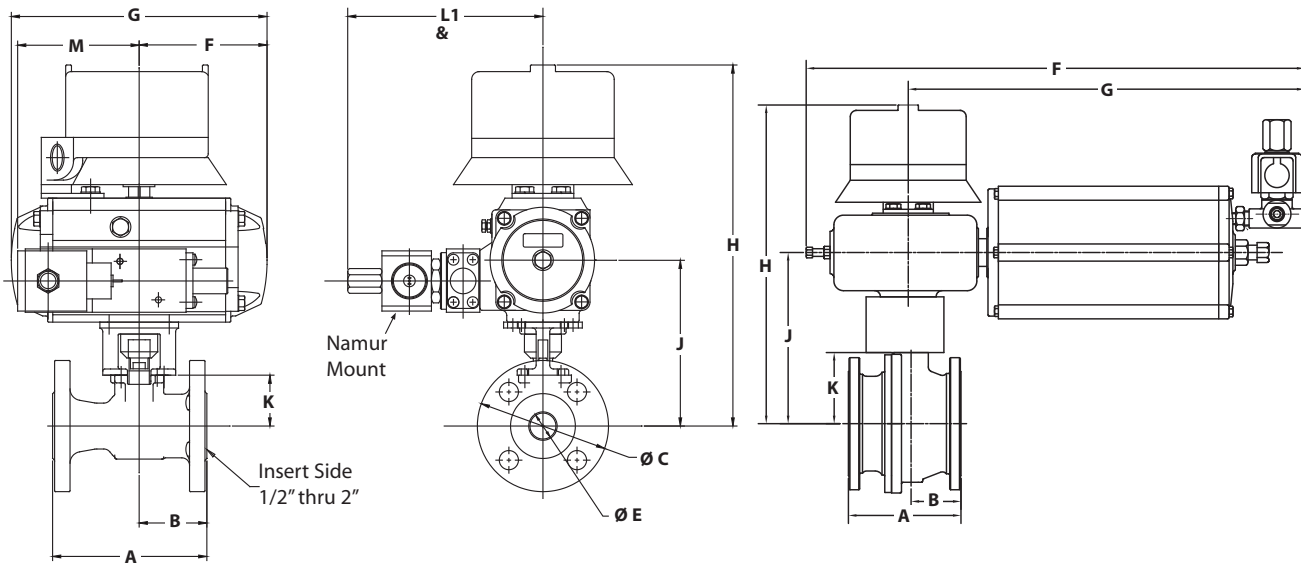
1/2" - 2" (DN 15 - 50) Figure 1057 — 7000 Series Valve-Actuator Assemblies

Valve Series	Valve Size		Approximate Dimensions														Approx. Weight	
	in.	DN	A in.	A mm	B in.	B mm	C in.	C mm	E in.	E mm	H in.	H mm	J in.	J mm	K in.	K mm	lb	kg
7150	1/2	15	4.25	108	1.82	46	3.50	89	0.47	12	10.00	254	4.01	102	1.06	27	13.2	6.0
730S	1/2	15	4.25	108	1.94	49	3.75	95	0.47	12	10.00	254	4.01	102	1.06	27	14.7	6.7
7300	1/2	15	5.50	140	1.94	49	3.75	95	0.47	12	10.00	254	4.01	102	1.06	27	15.7	7.1
7150	3/4	20	4.62	117	1.91	49	3.88	99	0.66	17	10.16	258	4.17	106	1.22	31	14.2	6.4
730S	3/4	20	4.62	117	2.00	51	4.63	118	0.66	17	10.16	258	4.17	106	1.22	31	17.7	8.0
7300	3/4	20	5.00	127	2.00	51	4.63	118	0.66	17	10.16	258	4.17	106	1.22	31	17.7	8.0
7150	1	25	5.00	127	2.07	53	4.25	108	0.85	22	11.70	297	5.38	137	1.65	42	21.4	9.7
730S	1	25	5.00	127	2.19	56	4.88	124	0.85	22	11.70	297	5.38	137	1.65	42	23.4	10.6
7300	1	25	6.50	165	2.19	56	4.88	124	0.85	22	11.70	297	5.38	137	1.65	42	23.4	10.6
7150	1-1/2	40	6.50	165	2.52	64	5.00	127	1.22	31	12.90	328	6.34	161	2.07	53	29.1	13.2
730S	1-1/2	40	6.50	165	2.65	67	6.12	155	1.22	31	12.90	328	6.34	161	2.07	53	33.6	15.2
7300	1-1/2	40	7.50	191	2.65	67	6.12	155	1.22	31	12.90	328	6.34	161	2.07	53	35.1	15.9
7150	2	50	7.00	178	2.51	64	6.00	152	1.47	37	13.57	345	6.76	172	2.26	57	38.2	17.3
730S	2	50	7.00	178	2.64	67	6.50	165	1.47	37	13.57	345	6.76	172	2.26	57	43.2	19.6
7300	2	50	8.50	216	2.64	67	6.50	165	1.47	37	13.57	345	6.76	172	2.26	57	44.2	20.0

Actuator Size	Approximate Dimensions									
	F		G		L1		L2		M	
	in.	mm	in.	mm	in.	mm	in.	mm	in.	mm
VPVL-100	3.12	79	6.24	158	6.13	156	4.47	114	3.94	100
VPVL-200	4.15	105	8.29	211	6.33	161	4.67	119	3.94	100
VPVL-250	4.87	124	9.74	247	6.52	166	4.86	123	3.94	100
VPVL-300	5.29	134	10.57	268	6.92	176	5.26	134	3.94	100
VPVL-400	6.79	172	13.58	345	7.51	191	5.85	149	3.94	100
VPVL-450	8.04	204	16.08	408	7.88	200	6.22	158	3.94	100
VPVL-600	10.69	272	21.38	543	8.69	221	7.03	179	3.94	100

DIMENSIONS

3" – 8" (DN 80 – 200) Figure 1057 — 7000 Series Valve VPVL Actuator Assemblies



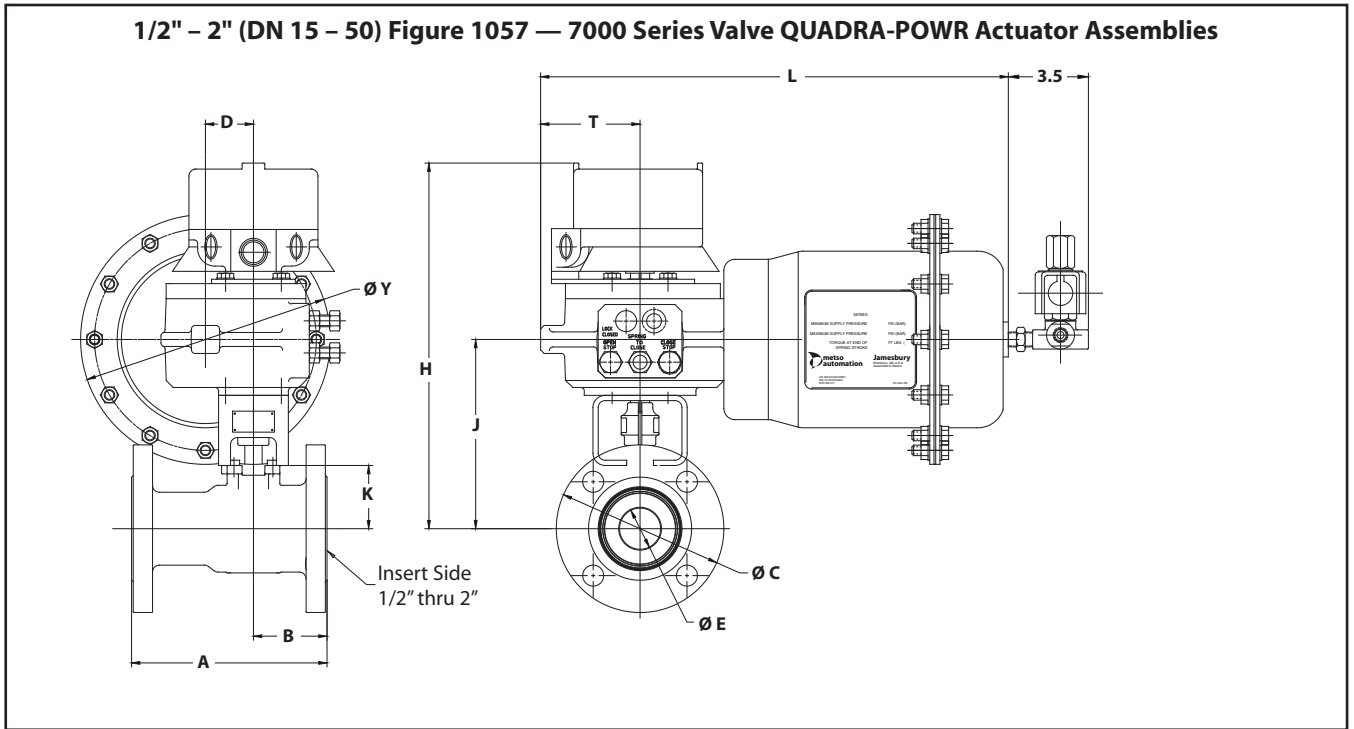
L2: Nipple MTD Sol. Dimension

3" – 8" (DN 80 – 200) Figure 1057 — 7000 Series Valve-Actuator Assemblies

Valve Series	Valve Size		Approximate Dimensions														Approx. Weight	
	in.	DN	A		B		C		E		H		J		K		lb	kg
7150	3	80	8.00	203	3.75	95	7.50	191	2.31	59	17.73	450	10.07	256	3.44	87	116	52.7
730S	3	80	8.00	203	3.75	95	8.25	210	2.31	59	17.73	450	10.07	256	3.44	87	133	60.4
7300	3	80	11.12	282	3.75	95	8.25	210	2.31	59	17.73	450	10.07	256	3.44	87	138	62.7
7150	4	100	9.00	229	4.00	102	9.00	229	3.00	76	19.60	498	11.35	288	3.93	100	144	65.4
730S	4	100	9.00	229	4.00	102	10.00	254	3.00	76	21.14	537	12.89	327	4.68	119	168	76.3
7300	4	100	12.00	305	4.00	102	10.00	254	3.00	76	21.14	537	12.89	327	4.68	119	177	80.4
7150	6	150	10.50	267	4.25	108	11.00	279	4.00	102	25.06	637	14.64	372	5.51	140	250	113.6
7150	8	200	11.50	292	6.41	163	13.50	343	6.00	152	28.87	733	16.92	430	7.27	185	527	239.5

Actuator Size	Approximate Dimensions									
	F		G		L1		L2		M	
	in.	mm	in.	mm	in.	mm	in.	mm	in.	mm
VPVL-100	3.12	79	6.24	158	6.13	156	4.47	114	3.94	100
VPVL-200	4.15	105	8.29	211	6.33	161	4.67	119	3.94	100
VPVL-250	4.87	124	9.74	247	6.52	166	4.86	123	3.94	100
VPVL-300	5.29	134	10.57	268	6.92	176	5.26	134	3.94	100
VPVL-400	6.79	172	13.58	345	7.51	191	5.85	149	3.94	100
VPVL-450	8.04	204	16.08	408	7.88	200	6.22	158	3.94	100
VPVL-600	10.69	272	21.38	543	8.69	221	7.03	179	3.94	100
B1J20C	48.74	1238	38.50	978	--	--	--	--	--	--

DIMENSIONS



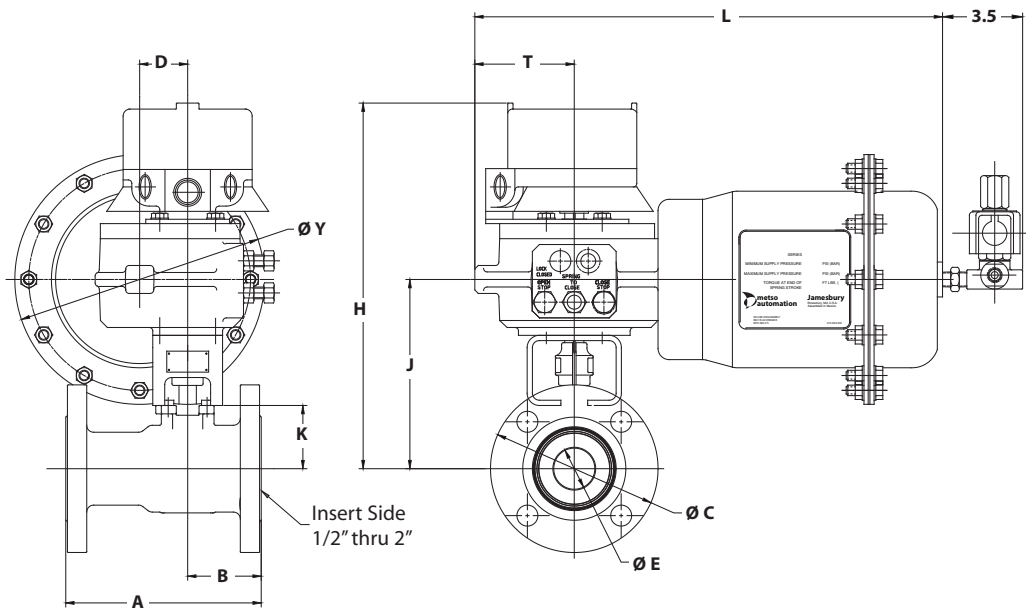
1/2" - 2" (DN 15 - 50) Figure 1057 — 7000 Series Valve QUADRA-POWR Actuator Assemblies

Valve Series		Valve Size		Approximate Dimensions														Approx. Weight	
				A		B		C		E		H		J		K			
in.	DN	in.	mm	in.	mm	in.	mm	in.	mm	in.	mm	in.	mm	in.	mm	in.	mm	lb	kg
7150	1/2	15	4.25	108	1.94	49	3.50	89	0.50	13	10.75	273	4.93	125	1.06	27	34.4	15.6	
730S	1/2	15	4.25	108	1.94	49	3.75	95	0.50	13	10.75	273	4.93	125	1.06	27	34.9	15.8	
7300	1/2	15	5.50	140	1.94	49	3.75	95	0.50	13	10.75	254	4.93	125	1.06	27	35.9	16.3	
7150	3/4	20	4.63	118	2.00	51	3.88	99	0.69	18	10.91	277	5.09	129	1.22	31	34.4	15.6	
730S	3/4	20	4.63	118	2.00	51	4.63	118	0.69	18	10.91	258	5.09	129	1.22	31	37.9	17.2	
7300	3/4	20	6.00	152	2.00	51	4.63	118	0.66	17	10.91	258	5.09	129	1.22	31	37.9	17.2	
7150	1	25	5.00	127	2.19	56	4.25	108	0.88	22	11.39	289	5.57	142	1.65	42	38.4	17.4	
730S	1	25	5.00	127	2.19	56	4.88	124	0.88	22	11.39	289	5.57	142	1.65	42	40.4	18.3	
7300	1	25	6.50	165	2.19	56	4.88	124	0.85	22	11.39	289	5.57	142	1.65	42	40.4	18.3	
7150	1-1/2	40	6.50	165	2.65	64	5.00	127	1.25	32	11.97	304	6.15	156	2.08	53	43.4	19.7	
730S	1-1/2	40	6.50	165	2.65	67	6.12	155	1.25	32	11.97	304	6.15	156	2.08	53	47.9	21.7	
7300	1-1/2	40	7.50	191	2.65	67	6.12	155	1.25	32	12.97	329	6.15	156	2.08	53	59.4	26.9	
7150	2	50	7.00	178	2.64	67	6.00	152	1.50	38	12.15	309	6.33	161	2.26	57	47.9	21.7	
730S	2	50	7.00	178	2.64	67	6.50	165	1.50	38	12.15	309	6.33	161	2.26	57	52.9	24.0	
7300	2	50	8.50	216	2.64	67	6.50	165	1.50	38	12.15	309	6.33	161	2.26	57	53.9	24.4	

Actuator Size	Approximate Dimensions							
	D		Y		L		T	
	in.	mm	in.	mm	in.	mm	in.	mm
QPX1C/M	1.37	35	7.75	197	14.06	357	2.74	70
QPX2C/M	1.72	44	8.94	227	16.75	425	3.56	90
QPX3C/M	2.09	53	10.79	274	20.47	520	4.69	119
QPX4C/M	2.65	67	12.60	320	23.31	592	5.51	140
QPX5C/M	3.34	85	15.04	382	28.37	721	6.30	160

DIMENSIONS

3" – 8" (DN 80 – 200) Figure 1057 — 7000 Series Valve QUADRA-POWR Actuator Assemblies

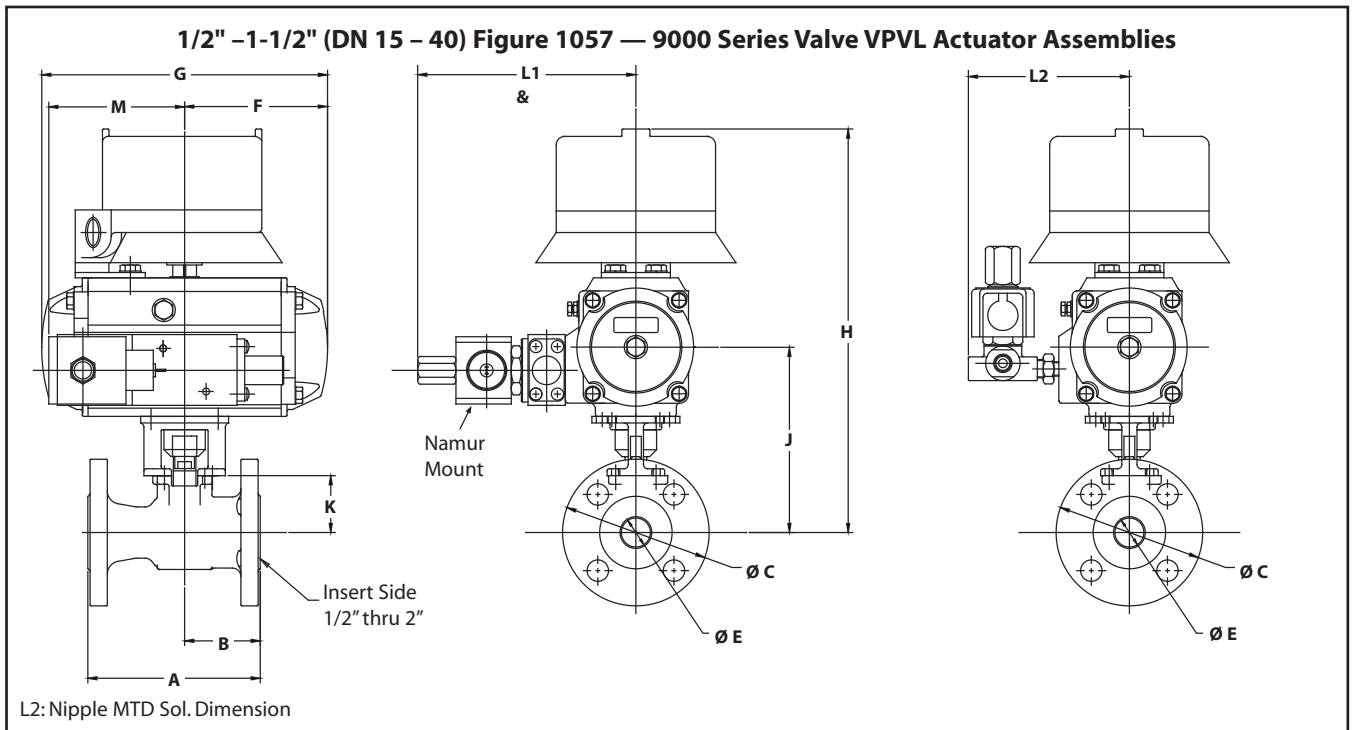


3" – 8" (DN 80 – 200) Figure 1057 — 7000 Series Valve QUADRA-POWR Actuator Assemblies

Valve Series	Valve Size		Approximate Dimensions														Approx. Weight	
			A		B		C		E		H		J		K			
	in.	DN	in.	mm	in.	mm	in.	mm	in.	mm	in.	mm	in.	mm	in.	mm	lb	kg
7150	3	80	8.00	203	3.75	95	7.50	191	2.31	59	16.25	413	9.52	242	3.44	87	116	52.7
730S	3	80	8.00	203	3.75	95	8.25	210	2.31	59	16.25	413	9.52	242	3.44	87	133	60.4
7300	3	80	11.12	282	3.75	95	8.25	210	2.31	59	16.25	413	9.52	242	3.44	87	138	62.7
7150	4	100	9.00	229	4.00	102	9.00	229	3.00	76	16.73	425	10.00	254	3.93	100	144	65.4
730S	4	100	9.00	229	4.00	102	10.00	254	3.00	76	18.05	458	11.32	288	4.68	119	168	76.3
7300	4	100	12.00	305	4.00	102	10.00	254	3.00	76	18.05	458	11.32	288	4.68	119	177	80.4
7150	6	150	10.50	267	4.25	108	11.00	279	4.00	102	24.08	612	13.20	335	5.51	140	250	113.6
7150	8	200	11.50	292	6.41	163	13.50	343	6.00	152	27.47	698	16.08	408	7.27	185	527	239.5

Actuator Size	Approximate Dimensions							
	D		Y		L		T	
	in.	mm	in.	mm	in.	mm	in.	mm
QPX1C/M	1.37	35	7.75	197	14.06	357	2.74	70
QPX2C/M	1.72	44	8.94	227	16.75	425	3.56	90
QPX3C/M	2.09	53	10.79	274	20.47	520	4.69	119
QPX4C/M	2.65	67	12.60	320	23.31	592	5.51	140
QPX5C/M	3.34	85	15.04	382	28.37	721	6.30	160

DIMENSIONS



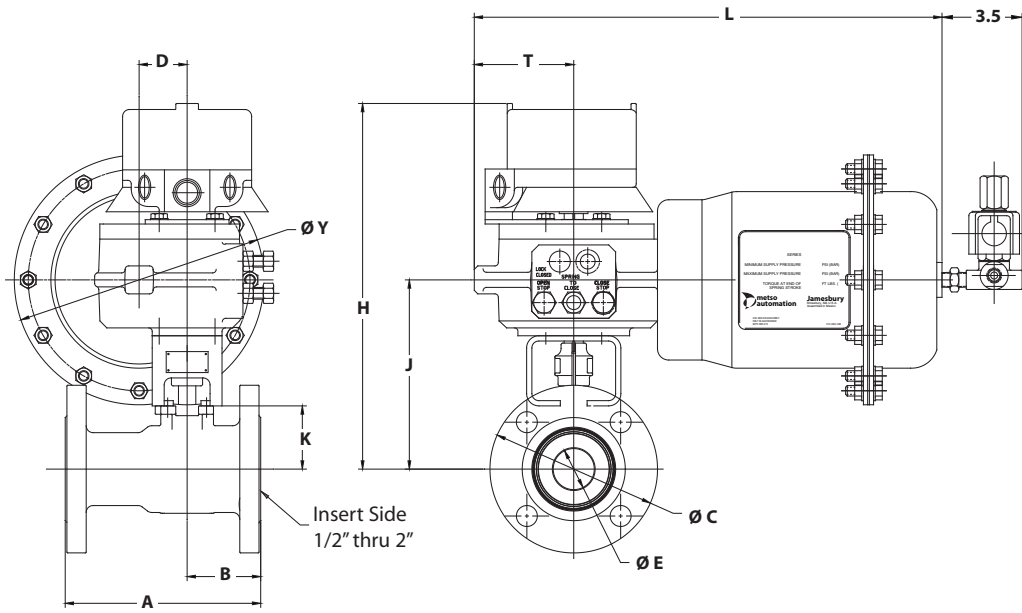
1/2" - 1-1/2" (DN 15 - 40) Figure 1057 — 9000 Series Valve VPVL Actuator Assemblies

Valve Series		Valve Size		Approximate Dimensions														Approx. Weight	
				A		B		C		E		H		J		K			
in.	DN	in.	mm	in.	mm	in.	mm	in.	mm	in.	mm	in.	mm	in.	mm	in.	mm	lb	kg
9150	1/2	15	4.25	108	1.82	46	3.50	89	0.47	12	10.00	254	4.01	102	1.06	27	32.2	6.0	
9150	3/4	20	4.57	116	2.13	54	3.88	99	0.85	22	11.70	297	5.38	137	1.65	42	19.7	8.9	
9300	3/4	20	5.94	151	2.13	54	4.62	117	0.85	22	11.70	297	5.38	137	1.65	42	22.7	10.3	
9150	1	25	4.94	125	2.13	54	4.25	108	0.98	25	11.70	297	5.38	137	1.78	45	26.9	12.2	
9300	1	25	6.44	164	2.13	54	4.88	124	0.98	25	11.83	301	5.51	140	1.78	45	30.9	14.0	
9150	1-1/2	40	6.44	164	2.58	66	5.00	127	1.47	37	13.10	333	6.52	166	2.26	57	34.6	15.7	
9300	1-1/2	40	7.44	189	2.58	66	6.12	155	1.47	37	13.10	333	6.52	166	2.26	57	39.6	18.0	

Actuator Size	Approximate Dimensions									
	F		G		L1		L2		M	
	in.	mm	in.	mm	in.	mm	in.	mm	in.	mm
VPVL-100	3.12	79	6.24	158	6.13	156	4.47	114	3.94	100
VPVL-200	4.15	105	8.29	211	6.33	161	4.67	119	3.94	100
VPVL-250	4.87	124	9.74	247	6.52	166	4.86	123	3.94	100
VPVL-300	5.29	134	10.57	268	6.92	176	5.26	134	3.94	100
VPVL-400	6.79	172	13.58	345	7.51	191	5.85	149	3.94	100
VPVL-450	8.04	204	16.08	408	7.88	200	6.22	158	3.94	100
VPVL-600	10.69	272	21.38	543	8.69	221	7.03	179	3.94	100

DIMENSIONS

1/2" - 1-1/2" (DN 15 - 40) Figure 1057 — 9000 Series Valve QUADRA-POWR Actuator Assemblies



1/2" - 1-1/2" (DN 15 - 40) Figure 1057 — 9000 Series Valve QUADRA-POWR Actuator Assemblies

Valve Series	Valve Size	Approximate Dimensions														Approx. Weight		
		A		B		C		E		H		J		K		lb	kg	
	in.	DN	in.	mm	in.	mm	in.	mm	in.	mm	in.	mm	in.	mm	in.	mm		
9150	1/2	15	4.25	108	1.94	49	3.50	89	0.50	13	10.75	273	4.93	125	1.06	27	33.4	15.2
9300	1/2	15	5.50	140	1.94	49	3.75	95	0.50	13	10.75	254	4.93	125	1.06	27	35.6	16.1
9150	3/4	20	4.63	118	2.19	56	3.88	99	0.88	22	11.37	289	5.52	140	1.65	42	39.9	18.1
9300	3/4	20	6.00	152	2.19	56	4.63	118	0.88	22	11.37	289	5.52	140	1.65	42	42.9	19.5
9150	1	25	5.00	127	2.19	56	4.25	108	1.00	25	11.52	293	5.70	145	1.78	45	43.9	20.0
9300	1	25	6.50	165	2.19	56	4.88	124	1.00	25	11.52	293	5.70	145	1.78	45	47.9	21.7
9150	1-1/2	40	6.44	164	2.58	66	5.00	127	1.47	37	12.06	306	6.18	157	2.26	57	49.2	22.3
9300	1-1/2	40	7.50	191	2.64	67	6.13	156	1.50	38	12.15	309	6.33	161	2.26	57	54.2	24.6

Actuator Size	Approximate Dimensions							
	D		Y		L		T	
	in.	mm	in.	mm	in.	mm	in.	mm
QPX1C/M	1.37	35	7.75	197	14.06	357	2.74	70
QPX2C/M	1.72	44	8.94	227	16.75	425	3.56	90
QPX3C/M	2.09	53	10.79	274	20.47	520	4.69	119
QPX4C/M	2.65	67	12.60	320	23.31	592	5.51	140
QPX5C/M	3.34	85	15.04	382	28.37	721	6.30	160

HOW TO ORDER GAS SAFETY SHUTOFF VALVES

The Gas Safety Shutoff Valve designation is made up of numbers and letters that describe all features of the available variations of these units. Coding is as follows:

EXAMPLE: A 1" (3), ANSI Class 300 short design valve (C), Carbon Steel Body and Stainless Steel Trim (1), XTREME Seats (1), Actuator to operate at minimum temperature of -20°F and 60 psig min. air supply (A), QZM2WB1DSS Limit Switch (3), Both Switches Fixed (A), S/S Solenoid (D), 24VDC required (2), Spring to Close (Leave Blank)

	1	2	3	4	5	6	7	8	9	10
Figure 1057	3	C	1	1	A	3	A	D	2	

1	Valve Size	
	Code	DN
1	1/2 NPS	15
2	3/4 NPS	20
3	1 NPS	25
4	1-1/4 NPS	32
C	1-1/2 NPS	40
5	2 NPS	50
6	3 NPS	80
7	4 NPS	100
8	6 NPS	150
9	8 NPS	200

2	Valve Style, End Connection & Body Rating				
	Code	Valve Series	Valve Size		End Connection and Body Rating
			Inches	DN	
A	7150	1/2 – 8	15 – 200	Standard Bore, Flanged ASME Class 150	
B	7300	1/2 – 4	15 – 100	Standard Bore, Flanged ASME Class 300	
C	730S	1/2 – 4	15 – 100	Standard Bore, Flanged ASME Class 300 short	
D	9150	1/2 – 1-1/2	15 – 40	Full Bore, Flanged ASME Class 150	
E	9300	1/2 – 1-1/2	15 – 40	Full Bore, Flanged ASME Class 300	
F	4000 FB NPT	1/2 – 1-1/2	15 – 40	Full Bore, NPT ASME Class 600	
G	4000 RB NPT	1/2 – 2	15 – 50	Standard Bore, NPT ASME Class 600	

3	Body and Trim Material	
	Code	Material
1	2236	Carbon Steel Body & Stainless Steel Trim
2	3600	Stainless Steel body & Trim

4	Seat and Seal Material	
	Code	Material
1	XTREME Seat, TFM & Graphite Seals*	

* 8" (DN 200) 7000 Series requires B Series actuators.

5	Actuator Style	
	Code	Actuator
A	QPX_C/M	(-20°F, -30°C)
B	VPVL_SR LX	(-40°F, -40°C)*
C	B1J_C	(-40°F, -40°C)**

All actuators can be used with high temperature solenoid option.
 *Standard bore valves up to 6" (DN 150), Full bore valves up to 1-1/2" (DN 40).
 **8" (DN 200) Standard bore only.

6	Limit Switch Description	
	Code	Description
0	No Switch	
1	QZM2VB1DSS, SPDT; (-40°F, -40°C) (2) SPDT mech. switches	
2	QZM14B1DSS, DPDT; (-40°F, -40°C) 2 DPDT mechanical switches	
3	QZM2WB1DSS, SPDT; (-40°F, -40°C) (2) SPDT gold contact mechanical switches	
4	QZP4XB1DSS, SPDT; (-40°F, -40°C) (4 SPST* Switches Configured as SPDT**)	
5	QZP33B1DSS, SPST; (-60°F, -50°C***) (2) SST Sensor Dual Module	

*Single Pole-Single Throw. **Single Pole-Double Throw.
 ***Assembly Limited to -40°F, -40°C.

7	Limit Switch Set-Up	
	Code	Set-Up
0	No Switch	
A	Both Switches Fixed	
B	One(1) Switched Fixed, One(1) Switched Free	

Note: Fixed indicates switch is permanently set to indicate "Spring to" position

8	Solenoid Type	
	Code	Type
A	Standard (Explosion Proof);	-40°F to 125°F (-40C to 52°C)
B	High Temp;	-40°F to 140°F (-40C to 60°C)
D	Stainless Steel;	-40°F to 125°F (-40C to 52°C)
E	Stainless Steel; High Temp;	-40°F to 140°F (-40C to 60°C)
F	Manual Reset;	-40°F to 125°F (-40C to 52°C)

9	Solenoid Voltage	
	Code	Voltage
1	120 VAC;	60 Hz
2	24 VDC	

10	Actuator Spring Direction	
	Code	Direction
		Spring-to-Close
0		Spring-to-Open

Subject to change without prior notice.

Metso Automation Inc.

Europe, Levytie 6, P.O. Box 310, 00811 Helsinki, Finland.
Tel. +358 20 483 150. Fax +358 20 483 151

North America, 44 Bowditch Drive, P.O. Box 8044, Shrewsbury, MA 01545, USA.
Tel. +1 508 852 0200. Fax +1 508 852 8172

Europe, 6-8 rue du Maine, 68271 Wittenheim Cedex, France.
Tel. +33 (0)3 89 50 64 00. Fax +33 (0)3 89 50 64 40

South America, Av. Independência, 2500- Iporanga, 18087-101, Sorocaba-São Paulo
Brazil. Tel. +55 15 2102 9700. Fax +55 15 2102 9748/49

Asia Pacific, 238A Thomson Road, #25-09 Novena Square Tower A, 307684 Singapore.
Tel. +65 6511 1011. Fax +65 6250 0830

China, 19/F, the Exchange Beijing, No. 118, Jianguo Lu Yi, Chaoyang Dist, 100022 Beijing, China.
Tel. +86-10-6566-6600. Fax +86-10-6566-2575

Middle East, Roundabout 8, Unit AB-07, P.O. Box 17175, Jebel Ali Freezone, Dubai,
United Arab Emirates. Tel. +971 4 883 6974. Fax +971 4 883 6836

www.metso.com/automation

