

JACKETED WAFER-SPHERE® HIGH-PERFORMANCE BUTTERFLY VALVES

WAFER-SPHERE high-performance butterfly valves can be furnished with jackets for easier handling of highly viscous materials or to prevent clogging of the valve when handling materials that might otherwise solidify.

Both wafer and single flanged lugged style valves can be jacketed. Wafer type valves are recommended due to their more regular body configuration facilitating efficient heat transfer and lower cost*.

For 3" – 12" (DN 80 – 300) Series 815 (Class 150) and Series 830 (Class 300), valve jackets are fabricated by welding cover plates with pipe couplings over the recesses that exist on each side of the valve body.

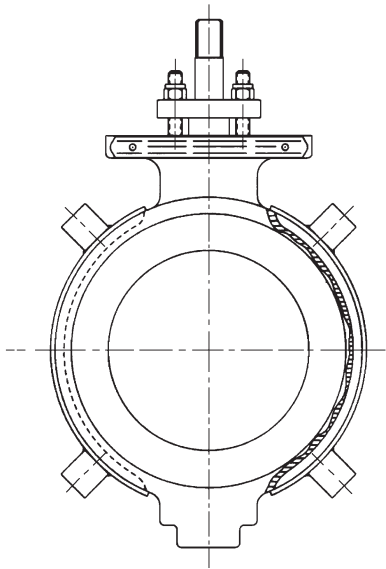
Larger (14" – 60" [DN 350 – 1500]) valves and Series 860 (Class 600) designs require recesses to be machined into the sides of the valve body. This does not affect valve pressure ratings as wall thickness remains well above minimum ANSI requirements.



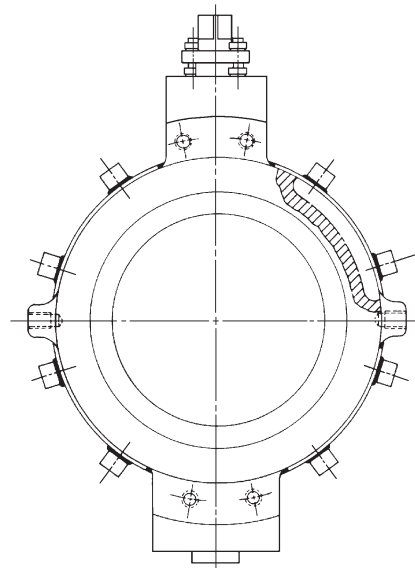
The standard jacket connection arrangement for 3" – 12" (DN 80 – 300) valves is four diagonal pipe couplings (3/8" (10mm) NPT for 3" and 4" (DN 80 and 100) valves, 1/2" (15mm) NPT for 6" – 12" (DN 150-300) sizes) as shown on the 6" (DN 150) valve below.

Larger (14" – 60" [DN 350-1500]) valves require eight pipe connections to handle heat transfer fluid flow through the four body recesses as shown on the 20" (DN 500) valve below.

Jackets do not change the face-to-face dimension of the valve assembly. Standard piping flanges and flange bolts may be used as the jackets do not interfere with the bolts.



6" (DN 150) Type 815W Valve



20" (DN 500) Type 815W Valve

* Consult factory for information on jacketed single flange lugged valves.

HIGH PERFORMANCE BUTTERFLY VALVE INFORMATION

For detailed information on WAFER-SPHERE high performance butterfly valves, please refer to the following bulletins:

	Bulletin
2-1/2" – 60" (DN 65 – 1500) ANSI Class 150 valves	W101-6
3" – 36" (DN 80 – 900) ANSI Class 300 valves	W101-6
3" – 24" (DN 80 – 600) ANSI Class 600 valves	W104-1
30" – 60" (DN 750 – 1500) Series 835 Process-Rated ANSI Class 150 WAFER-SPHERE valves	W105-1

HOW TO ORDER

To order jacketed JAMESBURY® WAFER-SPHERE high performance butterfly valves, utilize the ordering information for the standard valve from the appropriate bulletin listed at left and specify steam jacketed per bulletin W151-3.

Subject to change without prior notice.

Metso Automation Inc.

Europe, Levytie 6, P.O. Box 310, 00811 Helsinki, Finland.
Tel. +358 20 483 150. Fax +358 20 483 151

North America, 44 Bowditch Drive, P.O. Box 8044, Shrewsbury, MA 01545, USA.
Tel. +1 508 852 0200. Fax +1 508 852 8172

Europe, 6-8 rue du Maine, 68271 Wittenheim Cedex, France.
Tel. +33 (0)3 89 50 64 00. Fax +33 (0)3 89 50 64 40

South America, Av. Independência, 2500- Iporanga, 18087-101, Sorocaba-São Paulo Brazil. Tel. +55 15 2102 9700. Fax +55 15 2102 9748/49

Asia Pacific, 238A Thomson Road, #25-09 Novena Square Tower A, 307684 Singapore.
Tel. +65 6511 1011. Fax +65 6250 0830

China, 19/F, the Exchange Beijing, No. 118, Jianguo Lu Yi, Chaoyang Dist, 100022 Beijing, China.
Tel. +86-10-6566-6600. Fax +86-10-6566-2575

Middle East, Roundabout 8, Unit AB-07, P.O. Box 17175, Jebel Ali Freezone, Dubai, United Arab Emirates. Tel. +971 4 883 6974. Fax +971 4 883 6836

www.metso.com/automation

