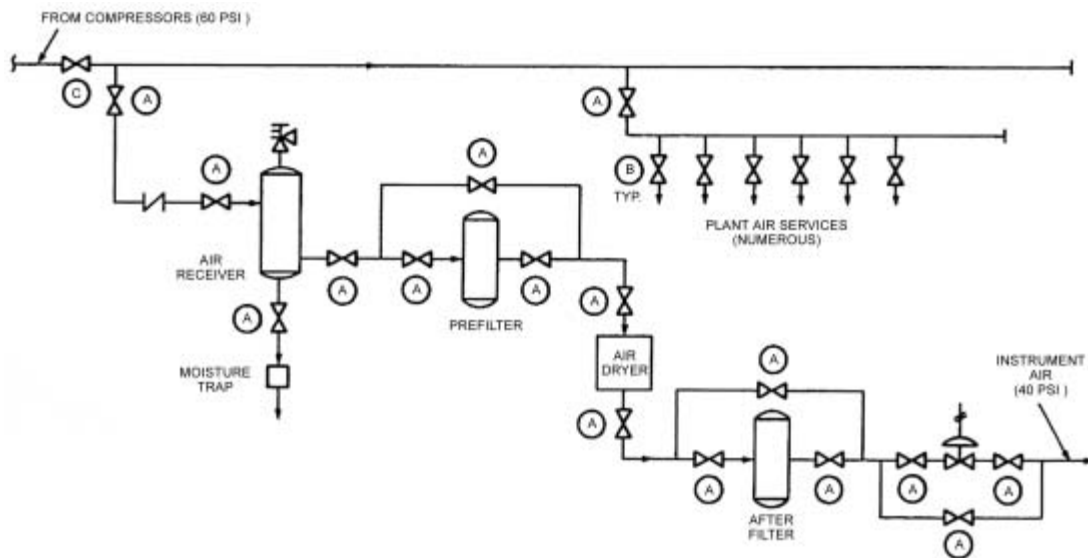


Typical Plant Air and Instrument Air Distribution System



Process Overview

Plant air systems typically consist of a series of air compressors that supply air for tools, machines and instruments.

Valve Requirements

Manual valves need to provide for easy operation and good sealing, typically pressurized air from 40 to 120 psi.

Metso Automation Solution

Standard port brass thread-end valves offer a reliable low cost solution.

Model Number and Description

351 T valves are brass bodies with stainless steel ball and stem in sizes from 1/4" - 3".

Valve Design Features

Metso Automation offers solutions for all plant needs, from simple shut-off to critical control applications.

Metso Automation, Field Systems Division

Europe, Levytie 6, P.O.Box 310, 00811 Helsinki, Finland. Tel. int. +358 20 483 150. Fax int. +358 20 483 151

Europe (UK), 8 Pipers Wood Industrial Park, Waterlooville, Hampshire PO7 7XU UK. Tel. int. +44 (0)23 9223 8500. Fax int. +44 (0)23 9223-8510

North America, 44 Bowditch Drive, P.O.Box 8044, Shrewsbury, Massachusetts, 01545-8044 USA. Tel. int. +1 508 852 0200. Fax int. +1 508 852 8172

Latin America, Av. Central, 181- Cháracas Reunidas, 12238-430, São Jose dos Campos. Tel. int. +55 12 335 3500. Fax int. +55 12 335 3535

Asia Pacific, 501 Orchard Road, #05-09 Wheelock Place, 238880 Singapore. Tel. int. +65 735 5200. Fax int. +65 735 2955

www.metsoautomation.com

